



## Smart Valve Positioner SW800 Series

- Quick and easy auto calibration
- Flapper / Nozzle type Torque motor
- By-pass valve (A/M switch) installed
- HART communication (HART 7)
- PST & Alarm & Diagnostic function



# Smart Valve Positioner SW800 Series

## Description

SW800 Smart Valve Positioner controls the valve stroke in response to an input signal of 4-20mA from the control panel, DCS, or calibrator.

## Features



SW800 Standard type



SW805 Stainless steel 316 type



SW800 with Limit switch type

- + Quick and easy auto calibration
- + Large flow pilot valve (Over than 100LPM)
- + Flapper / Nozzle type Torque motor
- + By-pass valve (A/M switch) installed
- + HART communication (HART 7)
- + Limit switch (Mechanical or Proximity type)
- + Partial stroke test (PST) function
- + Alarm function
- + Self diagnostic

## Interface structure



1. LCD
2. Button (4)
3. Alarm modules
4. Input signal (4~20mA DC)
5. Ground
6. Position transmitter (Option)
  - 2 Wire
  - 4~20mA DC feedback signal
7. Limit switch (Option)
  - Mechanical type
  - Proximity type



# Smart Valve Positioner SW800 Series

## Specifications

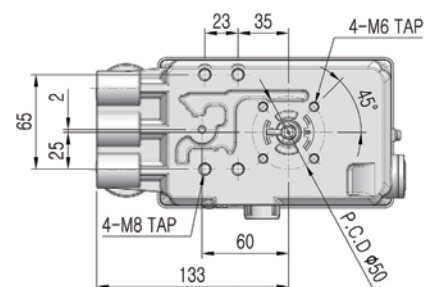
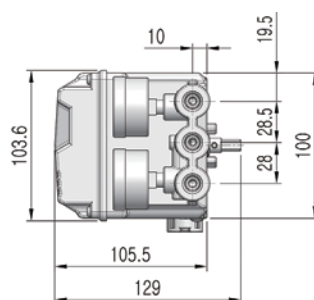
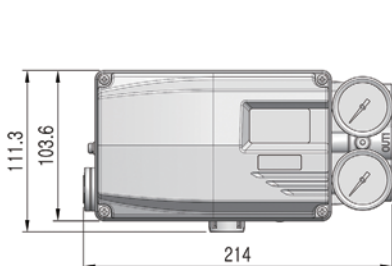
Model	SW800	SW805
Input signal	4~20mA DC	
Impedance	500Ω at 20mA DC	
Supply pressure	0.14~0.7MPa	
Stroke	10~150mm (Linear), 0~90° (Rotary)	
Air connection	PT1/4, NPT1/4, G1/4	
Gauge connection	PT1/8, NPT1/8	
Conduit	G1/2, NPT1/2, M20	
Explosion proof type	II 2G Ex ia IIC T5/T6 Gb II 2D Ex ia IIIC T100°C/85°C Db IP66	
Enclosure	IP66 (EN60529)	
Ambient Temp.	Standard type	-30°C~85°C
	Low temp type	-40°C~85°C
	Explosion proof	-40°C~60°C(T5) / -40°C~40°C(T6)
	LCD operating	-30°C~85°C
Linearity	±0.5% F.S.	
Sensitivity	±0.2% F.S.	
Hysteresis	±0.5% F.S.	
Repeatability	±0.3% F.S.	
Air consumption	Below 2.3LPM (Sup=0.14MPa)	
Required air quality	Class 3 (ISO 8573-1)	
Flow capacity	Over 100LPM (Sup=0.14MPa)	
Material	Aluminum die cast	Stainless steel 316
Weight	2.6kg	4.2kg
HART version*	HART 7	
Position transmitter*	Connection type	2 Wire
	Supply voltage	10~30V DC
Limit switch rating*	Mechanical type	AC 125V, 3A DC30V, 2A
	Proximity type	DC8.2V 8.2A

\* Options

## Product code

Model	SW800							
Standard type	SW800							
Remote type	SW820							
SSW 316 type	SW805							
Acting type	Linear type	L						
	Rotary type	R						
Explosion proof type	Non-explosion proof	N						
	Ex ia IIC T5/T6	A						
Connection type	Conduit entry		Air connection					
	G1/2	PT1/4		1				
	G1/2	NPT1/4		2				
	NPT1/2	NPT1/4		3				
	M20	NPT1/4		4				
Lever (Linear type)	10 ~ 80mm						1	
	70 ~ 150mm						2	
Adapter type (30mm)							3	
							4	
Lever (Rotary type)	M6 x 39L						1	
	NAMUR						5	
Ambient Temp.	-30°C~85°C							S
	-40°C~85°C							L
	-60°C~85°C (For Russia EAC)							U
Communication	None							0
	4~20mA Position transmitter							1
	HART							2
	HART with 4~20mA Position transmitter							3
Limit switch (For SW800) & SW805)	None							0
	Mechanical type							M
	Proximity type							P
	With dome cover (Without Limit switch)							D
Cable length (For SW820)	5m							1
	10m							2
	User define (Less than 20 meters)							x

## Dimension [Unit:mm]





## Swater Flow Group Inc

11650 Mission Park Drive, #101, Rancho Cucamonga, CA 91730 USA  
No.15, Northeast 7th Street, E&T Development Zone Dalian Liaoning China. 116600  
Tel: +86 138-4266-2610  
<http://www.swatergroup.com>

Version: PC-SW800EN\_05/2022  
We reserve the right to make technical changes or modify  
the contenSW of this document without prior notice.  
Copyright © 2022 Swater Flow  
All rights reserved.